

Coastal Industries Inc.

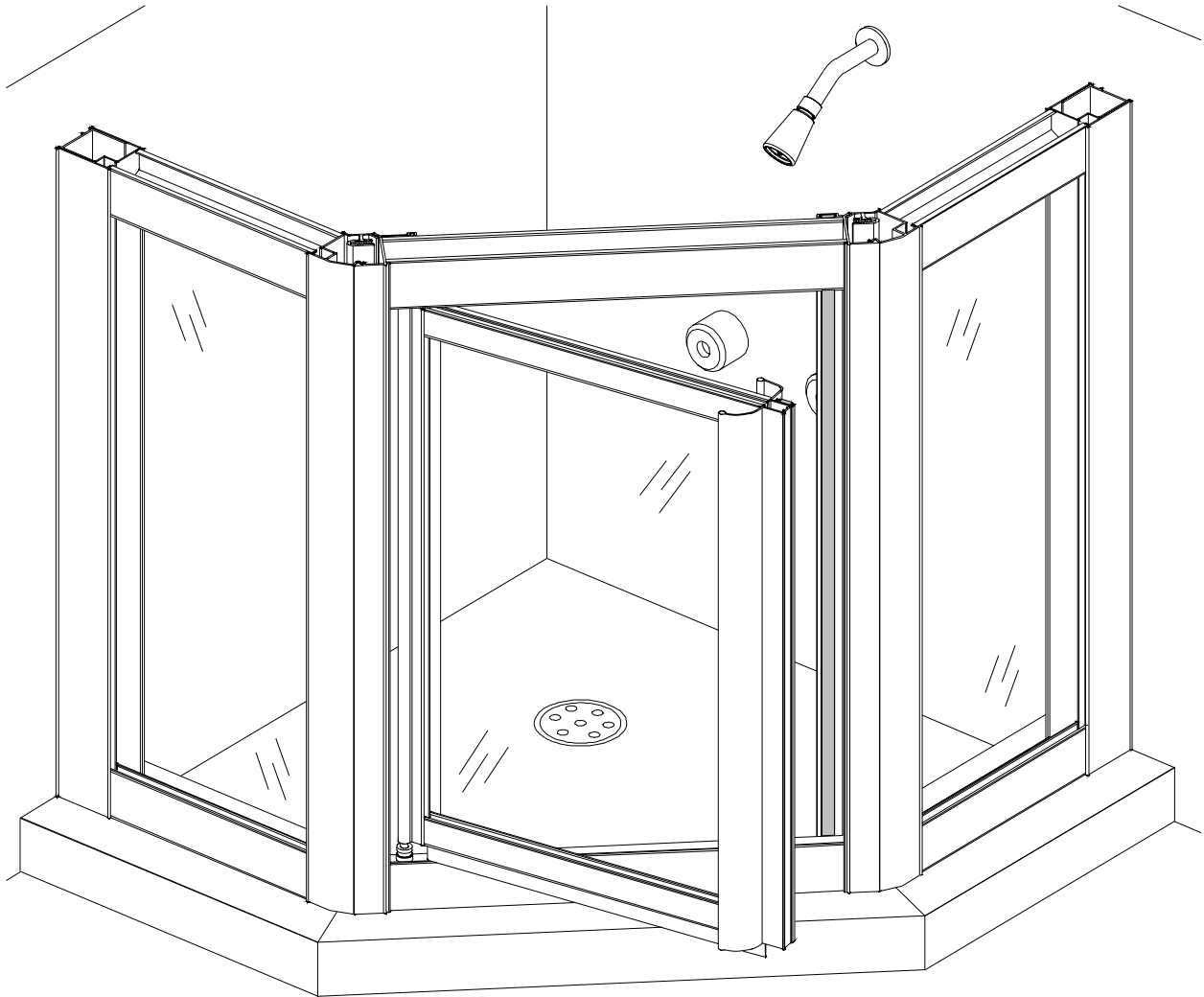
FAX NO.
(904) 641-1697

P.O. BOX 16091
JACKSONVILLE, FLORIDA 32245

TELEPHONE NO.
(904) 642-3970

CHALLENGER

MODULAR NEO-ANGLE SHOWER ENCLOSURE INSTALLATION INSTRUCTIONS



TOOLS / MATERIALS NEEDED

*1/8" DRILL BIT
ELECTRIC DRILL
MEASURING TAPE
PENCIL / FELT TIP PEN

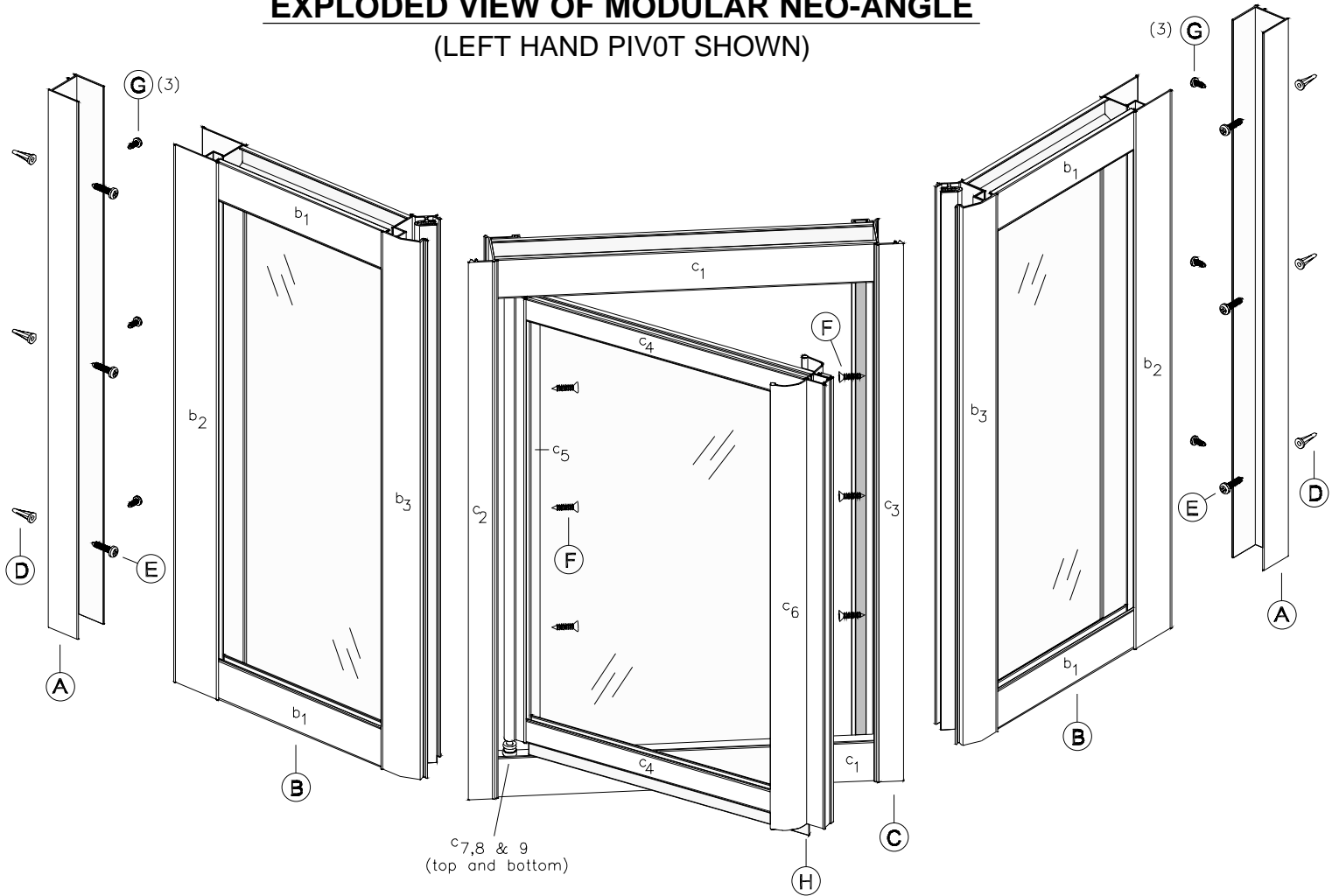
LEVEL
HAMMER
CENTER PUNCH
PHILLIPS SCREW DRIVER

SAFETY GLASSES
CLEAR CAULKING OR SEALANT

** FOR CERAMIC TILE WALLS, USE A 3/16" MASONRY DRILL BIT*

EXPLODED VIEW OF MODULAR NEO-ANGLE

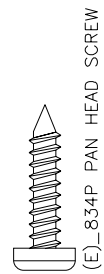
(LEFT HAND PIVOT SHOWN)



PARTS LIST

<u>KEY LETTER</u>	<u>PART NUMBER</u>	<u>DESCRIPTION</u>	<u>QUANTITY</u>
A	201	WALL JAMB	2
B	----	<u>SIDE PANEL ASSEMBLY</u>	2
b1	205	SIDE PANEL RAILS	4
b2	204	SIDE PANEL EXPANDER	2
b3	207	SIDE PANEL CORNER POST	2
b4	834	SIDE PANEL ASSEMBLY SCREW (not shown)	8
C	----	<u>DOOR FRAME ASSEMBLY</u>	1
c1	240	DOOR FRAME HEADER / SILL	2
c2	245	DOOR FRAME PIVOT POST	1
c3	241	DOOR FRAME STRIKE POST	1
c4	227	DOOR PANEL FRAMES	2
c5	229	DOOR PANEL PIVOT STILE	1
c6	226	DOOR PANEL STRIKE STILE	1
c7	CP201	PIVOT PIN (not shown)	2
c8	CP209	PIVOT BUSHING	2
c9	FW 10-093	PLASTIC PIVOT WASHER	2
c10	9842	MAGNETIC STRIPS	2
c11	----	(designation not used)	--
c12	6112FHSL	DOOR PANEL ASSEMBLY SCREW (not shown)	4
c13	834	DOOR FRAME ASSEMBLY SCREW (not shown)	8
c14	C173B	DOOR GLAZING VINLY (not shown)	
D	1329	PLASTIC SCREW ANCHOR	6
E	834P	#8 x 3/4" PAN HEAD PHILLIPS SCREW	6
F	834PFH	#8 x 3/4" FLAT HEAD PHILLIPS SCREW	6
G	638PHPT	#6 x 3/8" SELF DRILLING PHILLIPS SCREW	6
H	C176B	VINYL SWEEP	1
I	C202B	PANEL GLAZING VINYL (not shown)	

Unit Installation Screws (shown full size)



STEP 1
Positioning Wall Jamb

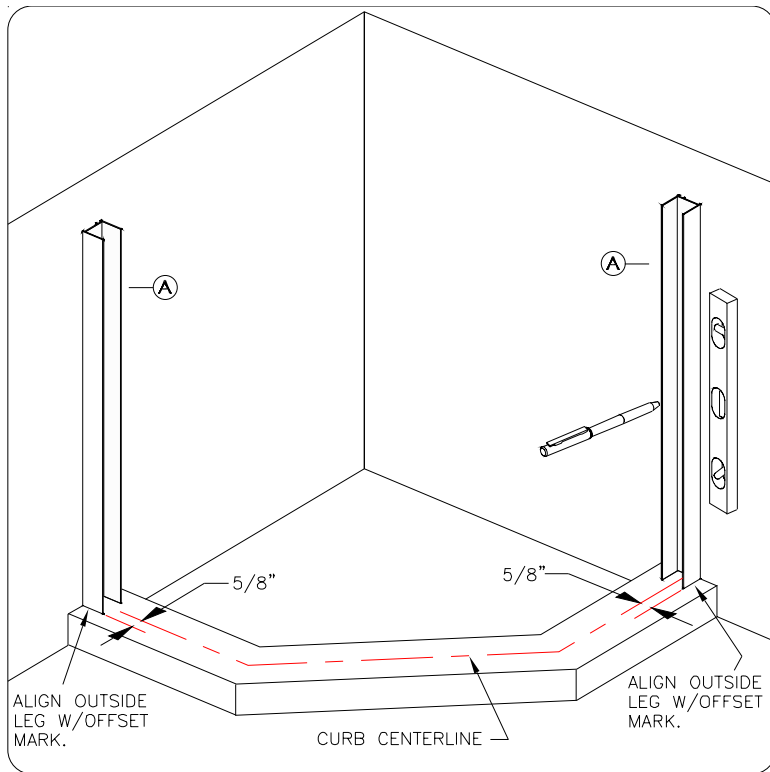


Fig. 1

Determine the curb centerline, then offset and mark a line 5/8 of an inch toward the outside of shower as shown in figure 1.

Separate the Wall Jamba (A) from their respective End Panels (B) as shown in exploded view.

Position Wall Jamba (A) up against shower walls . . . aligning their outside legs with the offset mark previously marked on base ledge.

Use a level to plumb Wall Jamba (A). Then using a felt tip pen, make a mark on the shower walls thru each of the three (3) installation holes. Remove Wall Jamba (A) and lightly center punch installation hole locations.

Drill 1" deep installation holes in the locations previously marked. Use a 3/16" masonry bit when drilling thru ceramic tile, marble or any masonry type surface and insert Plastic Screw Anchors (D).

STEP 2
Installing Wall Jamba

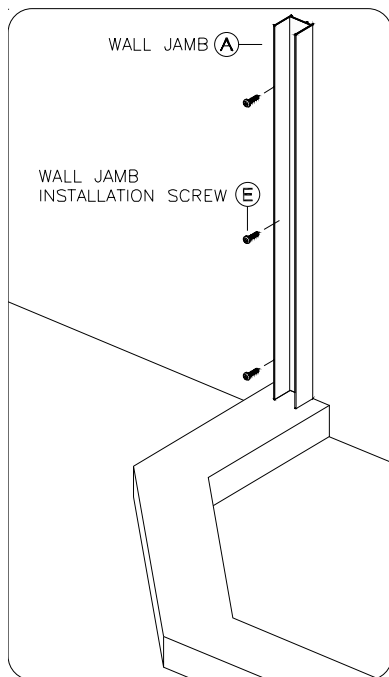


Fig. 2

Reposition Wall Jamba (A) against shower walls. Re-align the Wall Jamb holes with the installation holes drilled in the shower walls. Secure each Wall Jamb (A) with three (3) #8 x 3/4" pan head screws (E).

STEP 3
Installing Side Panels

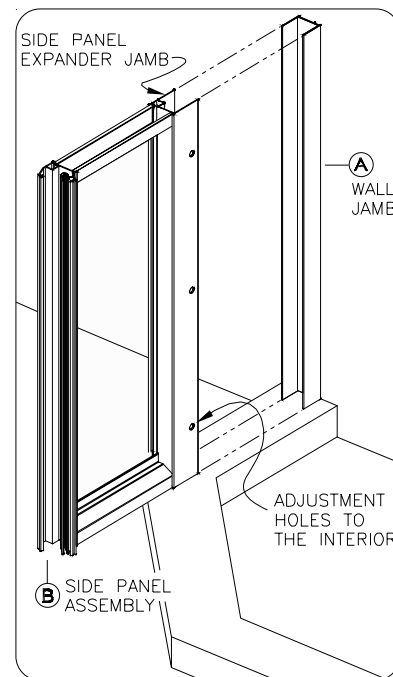
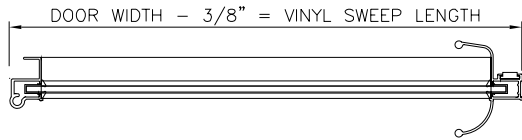


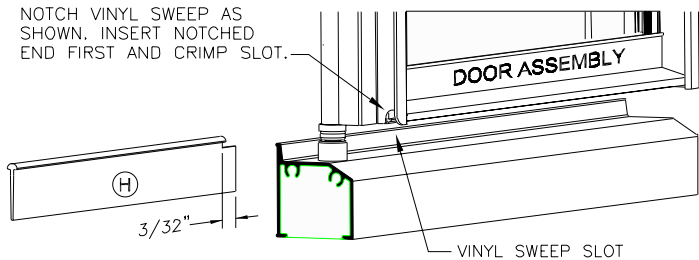
Fig. 3

Lift Side Panel (B) onto base ledge and slide Panel Expander Jamb over Wall Jamb (A). Insure that Expander Jamb adjustment holes are toward the interior of the shower. Repeat step for other side.

STEP 4
Vinyl Sweep Insert & Door Frame Installation



Measure the Door Assembly width, then trim the Vinyl Sweep to 3/8" less than measurement obtained (see figure above).



Notch end of Vinyl Sweep as shown. Determine bottom of Door Assembly and insert Vinyl Sweep into bottom rail. Insert 3/32" notched end first.

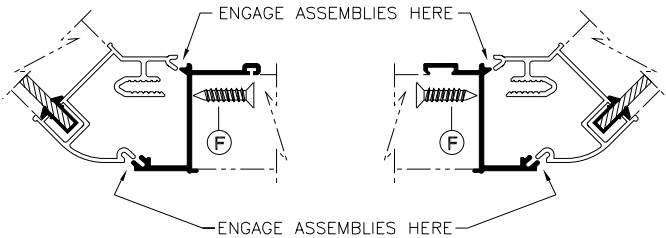


Fig. 4b

Place Door Frame Assembly (C) between the Side Panels (B). Starting with the pivot side first . . . engage the length of the Panel Assembly with the Door Assembly as shown in figure 4b. Secure Door Frame Pivot Post to the Side Panel with three (3) #8 x 3/4" flat head screws (F). Repeat procedure for the Strike Post side.

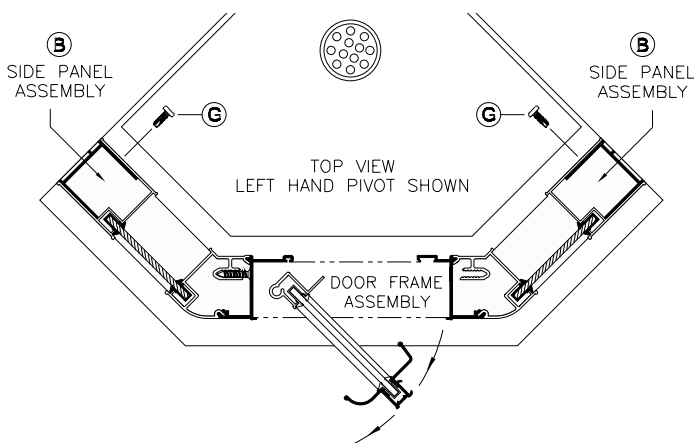


Fig. 4c

Center shower enclosure on base ledge. Using the Panel Expander Jamb adjustment holes as guides . . . fasten Side Panels (B) to Wall Jamb (A) using three (3) #6 x 3/8" self drilling panel adjustment screws (G) as shown in figure 4c.

STEP 6 Caulk for a leak proof installation

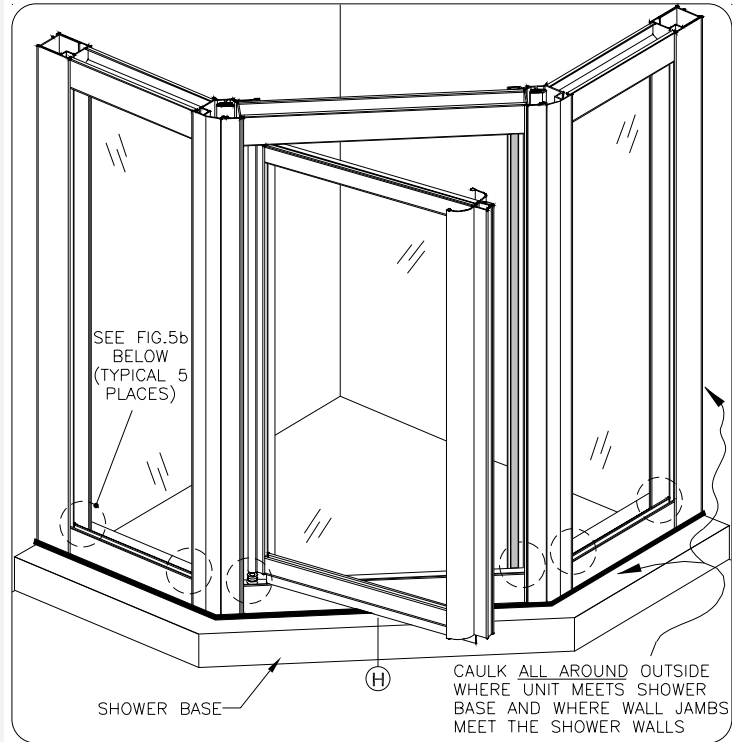


Fig. 5

TO INSURE A LEAK PROOF INSTALLATION:

First: Run a bead of clear mildew resistant caulking around the outside of shower enclosure where shower unit meets the shower base (see figures 5 and 5a).

Second: From inside the shower unit, caulk the six (6) circled areas indicated in figure 5 above (caulk the crevice where the horizontal member meets the vertical member as shown in fig 5b).

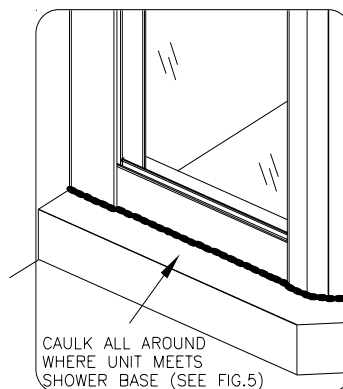


Fig. 5a

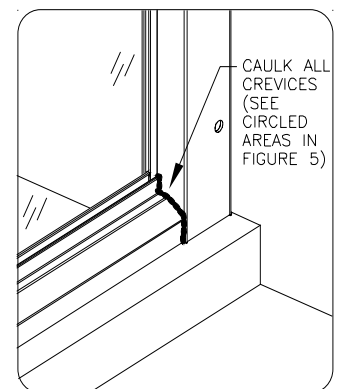


Fig. 5b

Carefully follow caulking manufacturer's instructions before using shower.