

260 DURAWALL® Shower Walls

Thermoplastic · Deluxe · Fits Shower Alcoves Up to 60" Wide by 40" Deep



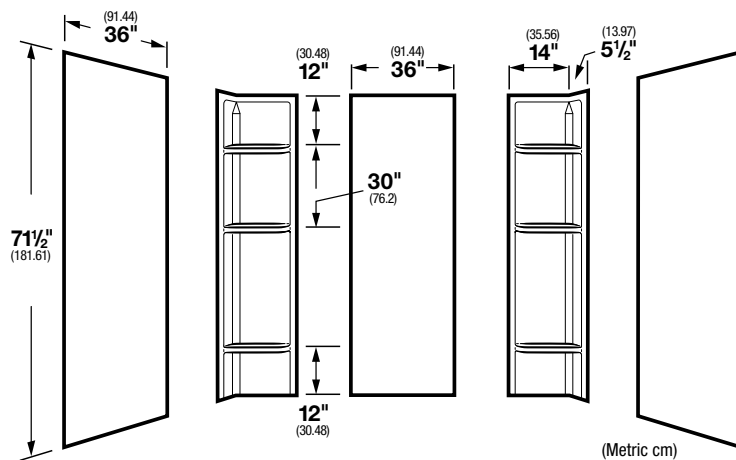
Transforming any alcove into a classically elegant shower space is easy to accomplish with the popular Model 260 DURAWALL® Shower Wall System from E.L. Mustee & Sons, Inc.

Complete your installation and purchase one of many color-matched DURABASE® Fiberglass Shower Floors. These quality-built floors are available in a multitude of sizes for virtually any alcove configuration.

Features

- High-grade thermoplastic
- Five-piece construction
- Six large molded-in, self-draining shelves
- Panels can be easily trimmed for out-of-square alcoves
- Deep-gloss finish
- Seamless corner panel
- Easily adhesive-mounts to drywall or like surfaces
- Mold and mildew resistant...easy to clean
- Installs onto an existing shower base or match it with a Mustee DURABASE® Shower Base
- Visit www.mustee.com for complete information

Specifications



Model	Color	Model	Color
260WHT	White	260BN	Bone

General: Furnish and install as shown on plans, DURAWALL® Shower Walls model 260, as manufactured by E.L. Mustee & Sons, Inc. Thermoplastic wall system shall be 5-piece construction with six formed shelves, seamless, overlapping corner panels. Uniform color throughout entire thickness of each panel. Color _____ (White, Bone).

Carton Contains: Three center/side panels and two corner panels. Carton is 35.5" x 73" x 6", weight 48 lbs., cubic ft. 9.9.

Requires five or more 11 oz. cartridges of top-grade panel adhesive for bonding polystyrene or polystyrene foam materials. Don't use adhesive containing tar, asphalt, lacquer thinner or toluene.

247 DURAWALL® Shower Walls

Thermoplastic · Deluxe · Fits Shower Alcoves Up to 48" Wide by 42" Deep



Transforming your shower into a classical elegant finish is a snap when you install the Model 247 DURAWALL® Shower Wall System from E.L. Mustee & Sons, Inc.

Coordinate the Model 247 DURAWALL® with a color-matched DURABASE® Fiberglass Shower Floor. These quality-built floors are available in a multitude of sizes for all popular square and rectangular installations.

Features

- High-grade thermoplastic
- Five-piece construction
- Six large molded-in, self-draining shelves
- Panels can be easily trimmed for out-of-square alcoves
- Seamless corner panel construction
- Easily adhesive-mounts to drywall or like surfaces
- Mold and mildew resistant...easy to clean
- Installs onto an existing shower base or match it with a Mustee DURABASE® Shower Base
- Visit www.mustee.com for complete information

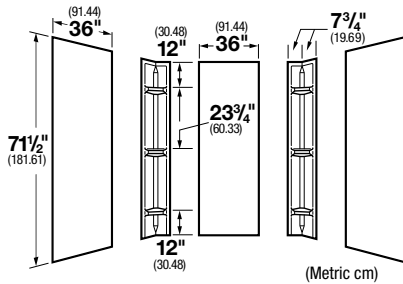
Specifications

Model	Color
247WHT	White

General: Furnish and install as shown on plans, DURAWALL® Shower Walls model 247, as manufactured by E.L. Mustee & Sons, Inc. Thermoplastic wall system shall be 5-piece construction with six formed shelves and overlapping corner panels. Uniform color throughout entire thickness of each panel. Color _____ (White).

Carton Contains: Three center/side panels and two corner panels. Carton is 36.5" x 73" x 5", weight 32 lbs., cubic ft. 7.7.

Requires five or more 11 oz. cartridges of top-grade panel adhesive for bonding polystyrene or polystyrene foam materials. Don't use adhesive containing tar, asphalt, lacquer thinner or toluene.



237 DURAWALL® Corner Shower Walls

Thermoplastic · Deluxe · Fits Side Walls Up to 42" Wide



The uniqueness and drama of a corner shower is easily created with the deluxe Model 237 DURAWALL® Shower Wall System from E.L. Mustee & Sons, Inc.

Coordinate the Model 237 DURAWALL® with a color-matched Neo-Angle or double-threshold DURABASE® Fiberglass Shower Floor. These quality-built floors are available in a multitude of sizes for all popular corner installations.

Features

- High-grade thermoplastic
- Three-piece construction
- Three large molded-in, self-draining shelves
- Panels can be easily trimmed for out-of-square alcoves
- Seamless corner panel construction
- Easily adhesive-mounts to drywall or like surfaces
- Mold and mildew resistant...easy to clean
- Installs onto an existing shower base or match it with a Mustee DURABASE® Shower Base
- Visit www.mustee.com for complete information

Specifications

Model	Color	Model	Color
237WHT	White	237BN	Bone

General: Furnish and install as shown on plans, DURAWALL® Shower Walls model 237, as manufactured by E.L. Mustee & Sons, Inc. Thermoplastic wall system shall be 3-piece construction with three formed shelves, seamless, overlapping corner panels. Uniform color throughout entire thickness of each panel. Color _____ (White, Bone).

Carton Contains: One corner panel and two side panels. Carton is 32.7" x 73" x 6", weight 22lbs., cubic ft. 8.2.

Requires four or more cartridges of top-grade panel adhesive for bonding polystyrene or polystyrene foam materials. Don't use adhesive containing tar, asphalt, lacquer thinner or toluene.

