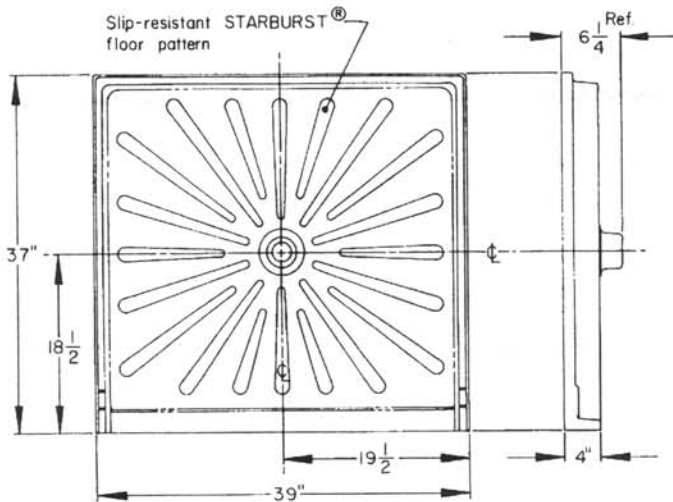


## INSTALLATION INSTRUCTIONS

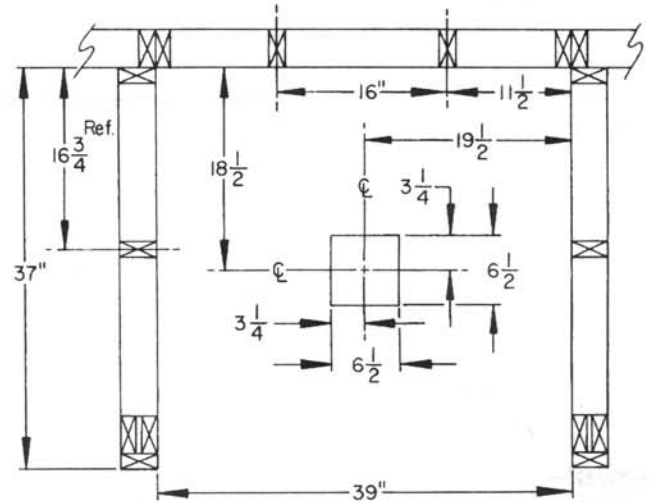
### ROUGH-IN DIMENSIONS



ADA  
DESIGNED  
PRODUCT



### TYPICAL ALCOVE FRAMING



NOTE: Add horizontal blocking (not shown) as required for mounting grab bars, seat, etc.

### IMPORTANT NOTES:

- We suggest that shower compartments be equipped with support handrails that comply with ANSI-117.1-1986 Consumer Safety requirements
- **DO NOT USE WITH "FREE STANDING SHOWER CABINETS, FOR "BUILT-IN" INSTALLATION ONLY**
- **SHOWER FLOORS ARE NOT TO BE INSTALLED IN FRONT OF DRYWALL!**
- Thoroughly **READ** and **UNDERSTAND** instructions before beginning installation of your MUSTEE Shower Floor

### ROUGH-IN PREPARATION

**IMPORTANT:** "ROUGH-IN" dimensions are provided for reference only! Measure actual Shower Floor and check local building code requirements before constructing alcove.

1. Refer to "ROUGH-IN" dimensions and determine location of Shower Floor.
2. Next, prepare SUB-FLOOR in Shower Floor area as follows:

#### Wood/Joist Floor:

Sub-floor must be min. 3/4" construction grade sheathing (CDX). Make sure sub-floor is securely fastened to floor joists throughout alcove area with either Decking/Bugle Head screws (2-1/2" min.) or nails (rec. 8d Spiral Flooring Nails). Make sure any "creaking or squeaks" have been eliminated by walking around alcove area before proceeding.

#### Concrete/Cement Slab Floor:

Prepare surface in alcove area so that floor is level and sound.

3. Provide a 6-1/2" (inch) square opening in sub-floor or slab to accommodate Shower Floor drain body. (Slab installation requires opening to be min. 2-1/2" deep). Opening to be centered about drain centerlines as specified in "ROUGH-IN" dimensions. Drain connection requires 2" (inch) DWV pipe. Top of drain pipe should be 1/2" below top of sub-floor or slab.
4. Finally, we recommend that Shower Floor be installed on a bed of 30 lb. roofing felt or equivalent to compensate for any inconsistencies in sub-floor or slab. (Gypsum cement or panel/floor adhesive could also be used for this purpose.)

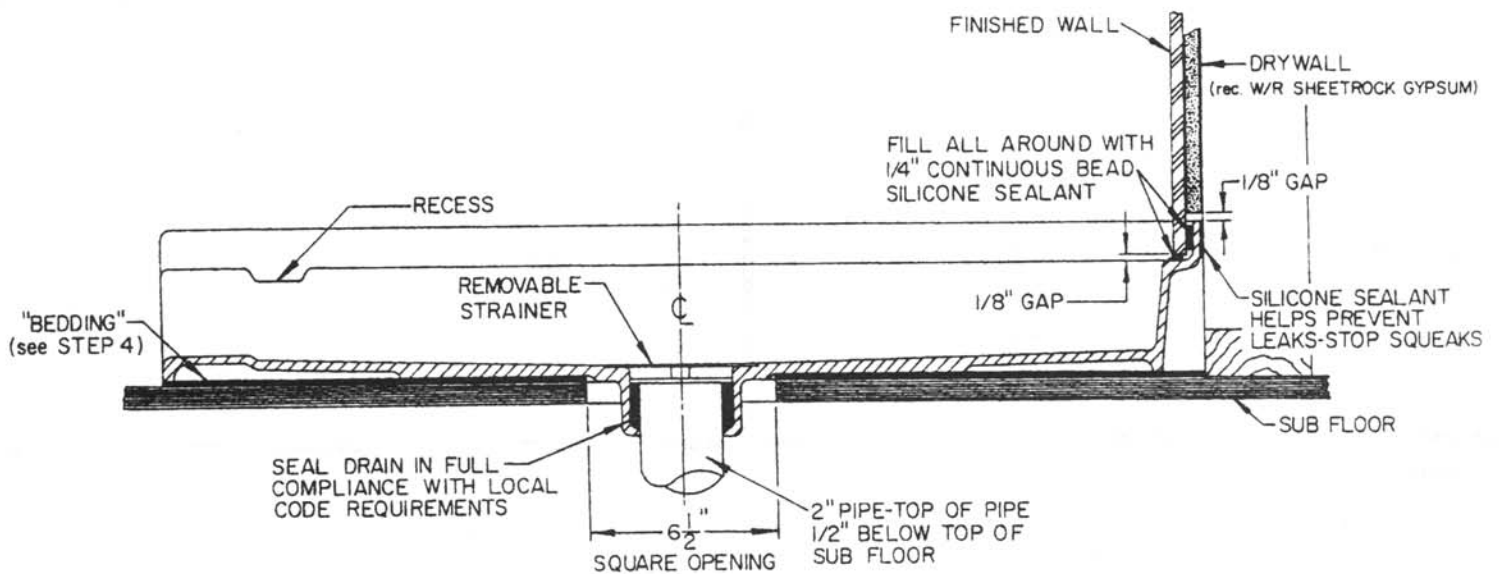
## SHOWER FLOOR INSTALLATION

5. Check **Show Floor** carefully making sure it is not damaged.
6. Set **Show Floor** into place. Level **Show Floor** in both directions. **NOTE:** Place level along top edge of tile flanges – *do not use floor area which is tapered for water drainage!*
7. Apply a lubricant of some type (liquid soap or silicone sealant works well) to the inside and outside of the **Drain Seal** prior to installation. Place **Drain Seal** over pipe and tamp into place using a hammer and -1/4" (inch) diameter blunt rod or dowel. (HINT: A 1/4" dia. bolt approx. 6" long works well as a tamping tool.) Make sure top of **Drain Seal** is even with top of 2" (inch) waste pipe and in full compliance with local code requirements pertaining to below floor waste connections. (See **DRAIN DETAIL**)
8. Snap **Strainer** into place.

## CARE & CLEANING

The surface of your Molded Fiberglass Shower floor may be cleaned with a mild soap solution in warm water using a soft cloth. For stubborn stains use "Soft Scrub" by Clorox or Lysol "Tub and Tile Cleaner" or a powdered detergent such as Spic-n-Span. Never use an abrasive scouring powder or steel wool pads as they will dull the surface.

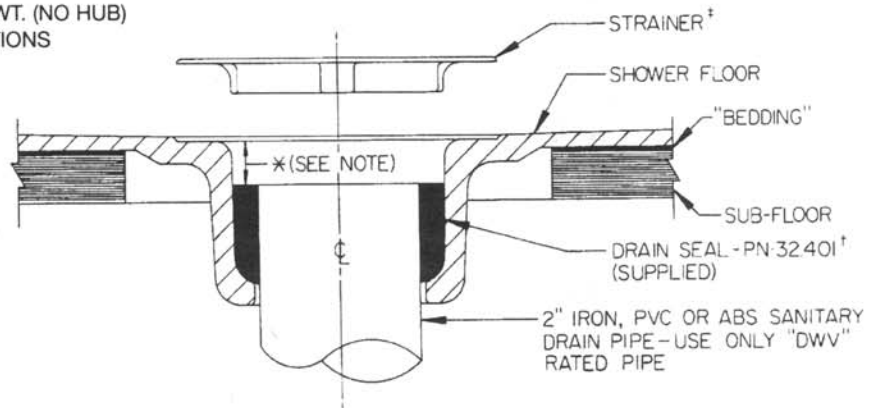
## SECTIONAL VIEW



## DRAIN DETAIL

- † Optional **DRAIN SEALS** are available:  
 PN.-32.403 - 2" SOIL PIPE/CAST IRON-SERVICE WT. (NO HUB)  
 SANITARY DRAIN/WASTE CONNECTIONS  
 PN.-32.404 - 2" COPPER-DWV, TYPE K, L or M
- ‡ Optional **STRAINERS** are available:  
 PN.-34.305 - POLISHED BRASS  
 PN.-34.301 - POLISHED STAINLESS STEEL  
 PN.-42.323 - MOLDED ("BONE")

**\*NOTE:**  
 TO BE SURE THAT DRAIN SEAL  
 IS FULLY SEATED INTO DRAIN  
 BODY - DIMENSION SHOULD BE 1/2" (MIN.)  
 SEE STEP 7 ABOVE.



Quality Plumbing Products

**E.L. MUSTEE & SONS, INC.**

5431 West 164th Street • Cleveland, Ohio 44142