



60.320A GapSeal-Pro™

Seals the Gap Between Drywall & Tile Flange on Shower Floors and Bathtubs



Adhesive backed GapSeal-Pro™ tile flange seal can be easily trimmed to length.



When properly installing drywall or like-surfaces above a shower base or bathtub, the 1/4" gap between the top of the tile flange and finished wall should be carefully sealed with a high grade silicone sealant. Unfortunately, drywall installers fail to make that seal in most installations.

Mustee's patent-pending GapSeal-Pro™ tile flange seal solves that problem by sealing the gap and "extending" the tile flange to create a water barrier behind drywall or like-surfaces.

Features:

- Made of flexible PVC, remains pliable & crack-resistant for years
- Effectively seals the gap between drywall or like-surfaces and tile flange – No caulking required!
- Includes high strength adhesive backing for easy mounting – No tools required to install
- Can be easily cut to length – Applies in seconds
- 132" long x 2" wide GapSeal-Pro™ is included in each package
- Mildew / mold-resistant



GapSeal-Pro™ is positioned to overlap the tile flange and extend up the stud to create an effective water barrier.

Specifications

General: Furnish and install as shown on plans, GapSeal-Pro™ tile flange seal as manufactured by E.L. Mustee & Sons, Inc. GapSeal-Pro™ tile flange shall be a flexible, PVC designed to seal the gap between drywall/like surfaces and the tile flange of shower bases or bathtubs. Includes heavy duty adhesive backing for mounting.

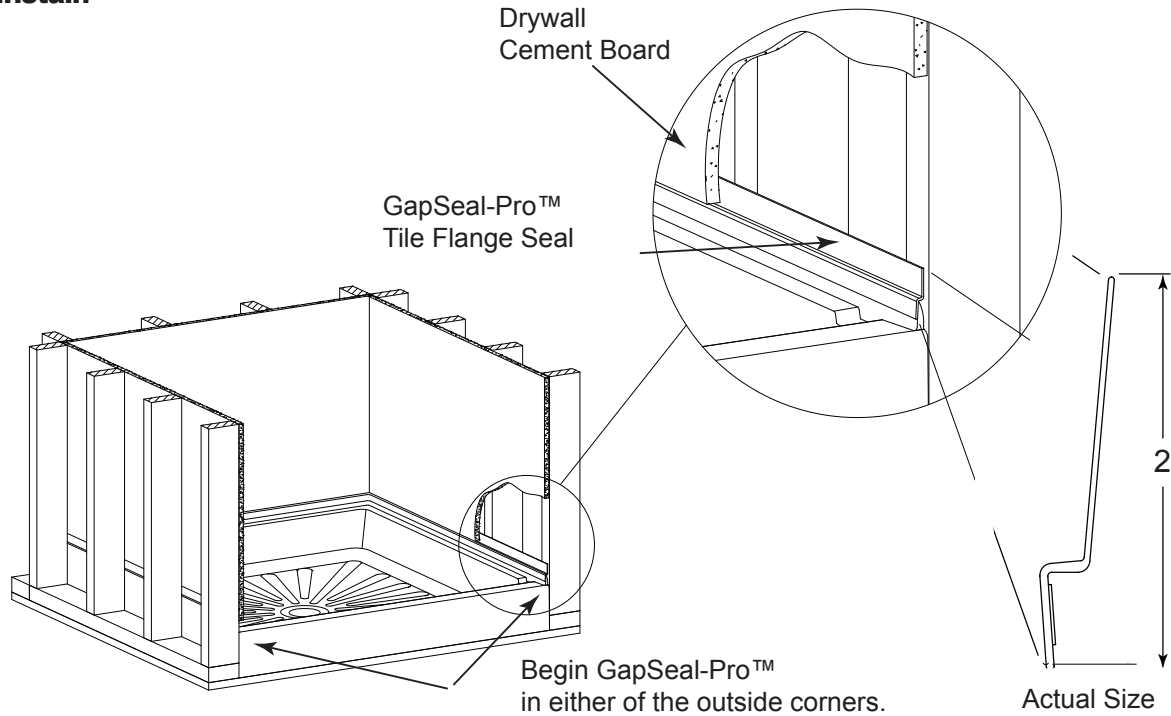
Model	H x L
60.320A	2" x 132"



60.320A GapSeal-Pro™

Seals the Gap Between Drywall & Tile Flange on Shower Floors and Bathtubs

How To Install:



- 1.) Install shower floor or bathtub following manufacturers instructions.
- 2.) Mustee's GapSeal-Pro™ adhesive mounts to the 1" tile flange.
- 3.) Make sure that the tile flange is clean and dry before installation.
- 4.) Start at the open front corner. The offset is designed to rest on the top of the 1" tile flange.
- 5.) Remove adhesive backing as you install the GapSeal-Pro™. (Do not remove all the adhesive backing at one time.)
- 6.) Install in one continuous length and cut off the excess at the end.
- 7.) Once the GapSeal-Pro™ is in place, press firmly.
- 8.) The 1-1/2" extension can be stapled to the stud supports to hold in place.

Installation Questions:

Contact E.L. Mustee & Sons, Inc. at 216-267-3100
Monday thru Friday's 8:30 am to 4:00 pm EST

Visit www.mustee.com

View the complete line of Mustee products.



To reorder, specify ADV-508

Notice: Our continuous commitment to product improvement may result in changes to product specifications without notice. Patented and patents pending. ADI/2-12/NM. Made and Printed in U.S.A.